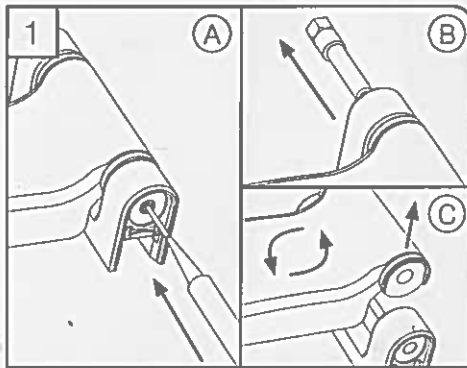


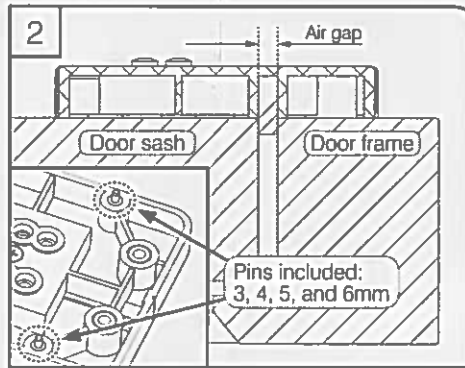
ProSecure Composite Door Hinge Fitting Instructions



1

(A) (B) (C)

As default the hinge will be set as right handed.
 (A) Ensure that sash part is at a right angle to frame part (B) Push out the pin from bottom.
 (C) Lift free and reverse sash and refit pin.



2

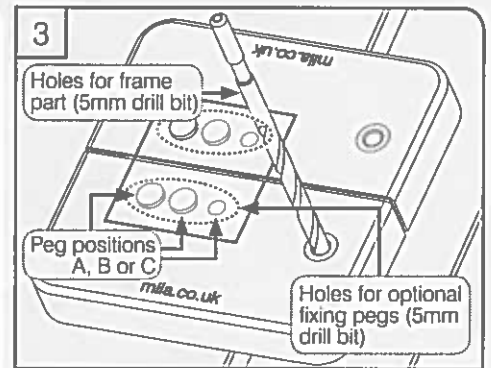
Air gap

Door sash

Door frame

Pins included:
3, 4, 5, and 6mm

To correctly use the Mila jig, measure the air gap between the door sash and frame. Take the matching pin size and insert them into the underside of the jig, as shown above.



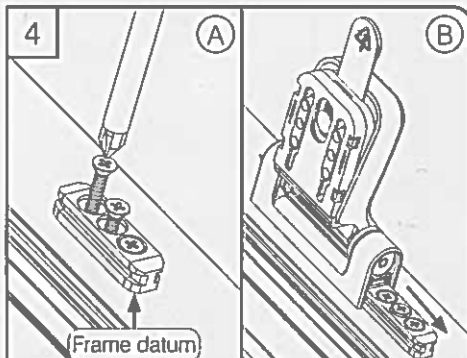
3

Holes for frame part (5mm drill bit)

Peg positions A, B or C

Holes for optional fixing pegs (5mm drill bit)

Align the jig using the underside pins. Drill holes for the frame part and if fitting optional fixing pegs, drill the sash part choosing the most suitable position for your door specification.

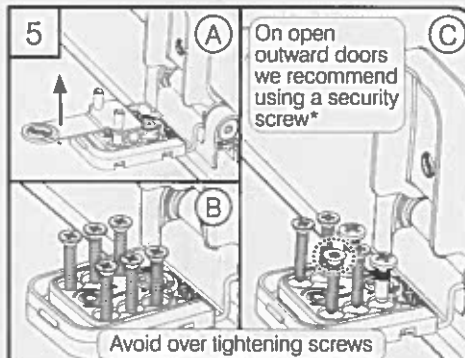


4

(A) (B)

Frame datum

(A) Fit the frame datum into the drilled 5mm holes and screw in place. (B) Take hinge and align the aperture in the frame part and slide into position.



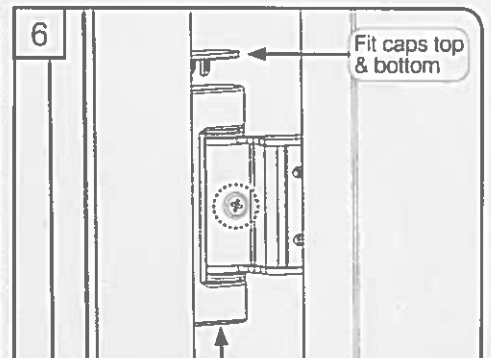
5

(A) (B) (C)

On open outward doors we recommend using a security screw*

Avoid over tightening screws

(A) Lift sash cover and remove tongue. (B) Secure using 6x screws or (C) Use 4x screws & 2x supplied fixing pegs. Close cover.
 *Screws NOT supplied.

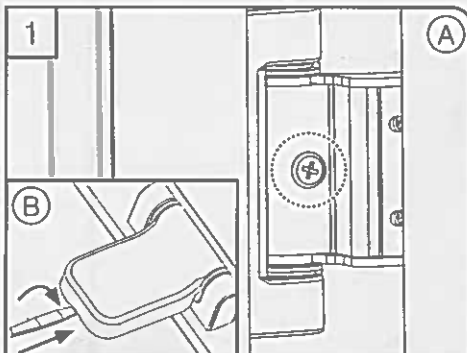


6

Fit caps top & bottom

Open the door to gain access to the security screw location and using screw provided fix in place to secure cover and hinge pin.

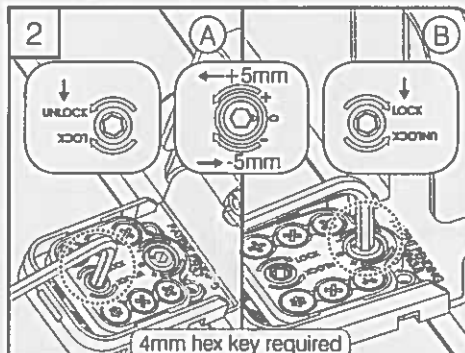
ProSecure Composite Door Hinge Adjusting Instructions



1

(A) (B)

(A) To release cover remove security screw from under the hinge. (B) insert 5mm blade screwdriver and twist to open.



2

(A) (B)

UNLOCK

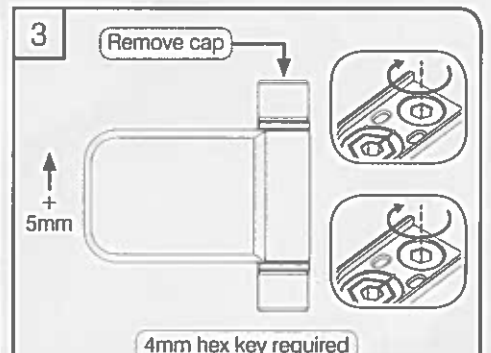
LOCK

+5mm

-5mm

4mm hex key required

(A) To adjust lateral position, first turn the unlock screw a 1/4 turn. (B) Turn the adjustment screw to adjust up to 5mm in either direction. **Finally tighten lock screw.**



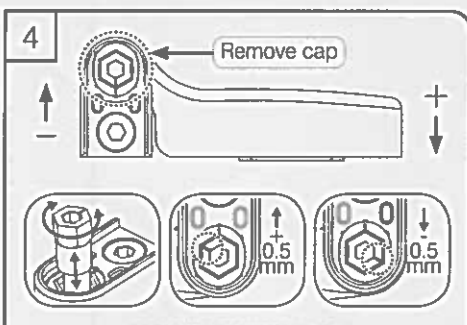
3

Remove cap

+5mm

4mm hex key required

Height adjustment: Using a 4mm hex key turn the screw down to lift the hinge by up to 5mm.



4

Remove cap

+ -

0.5mm

0.5mm

4mm hex key required

Compression adjustment: Push out hinge pin and turn to alter compression.



5

The sash can be removed and fitted when in an open position by lifting or lowering the sash assembly onto the frame datum.



6

Alternatively the sash can be removed and fitted in the closed position by removing the security screws and hinges pins and then lifting the sash off the frame part.